

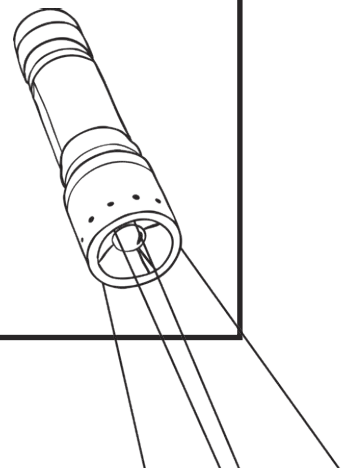
Suffixes -ing, -ed, -er, -est and -y

n i c e s t g h s
s e h i k i n g h
c h i k e r u n i
a u k h y u i i n
r i e g s h i c i
i o d h h d k e n
n l b e i n g r g
g p a s n e r t y
s c a r y a r y i



hiking
hiked
hiker
nicer
nicest

shiny
being
shining
scary
scaring



Suffixes -ing, -ed, -er, -est and -y

Answers

n	i	c	e	s	t	g	h	s
s	e	h	i	k	i	n	g	h
c	h	i	k	e	r	u	n	i
a	u	k	h	y	u	i	i	n
r	i	e	g	s	h	i	c	i
i	o	d	h	h	d	k	e	n
n	l	b	e	i	n	g	r	g
g	p	a	s	n	e	r	t	y
s	c	a	r	y	a	r	y	i

hiking	shiny
hiked	being
hiker	shining
nicer	scary
nicest	scaring